

# SLR/SUR-246

## automatic loader / unloader



*(Actual product might differ from image shown)*

PCB  
Automation  
Developed  
by Symtek

**SUITABLE FOR**

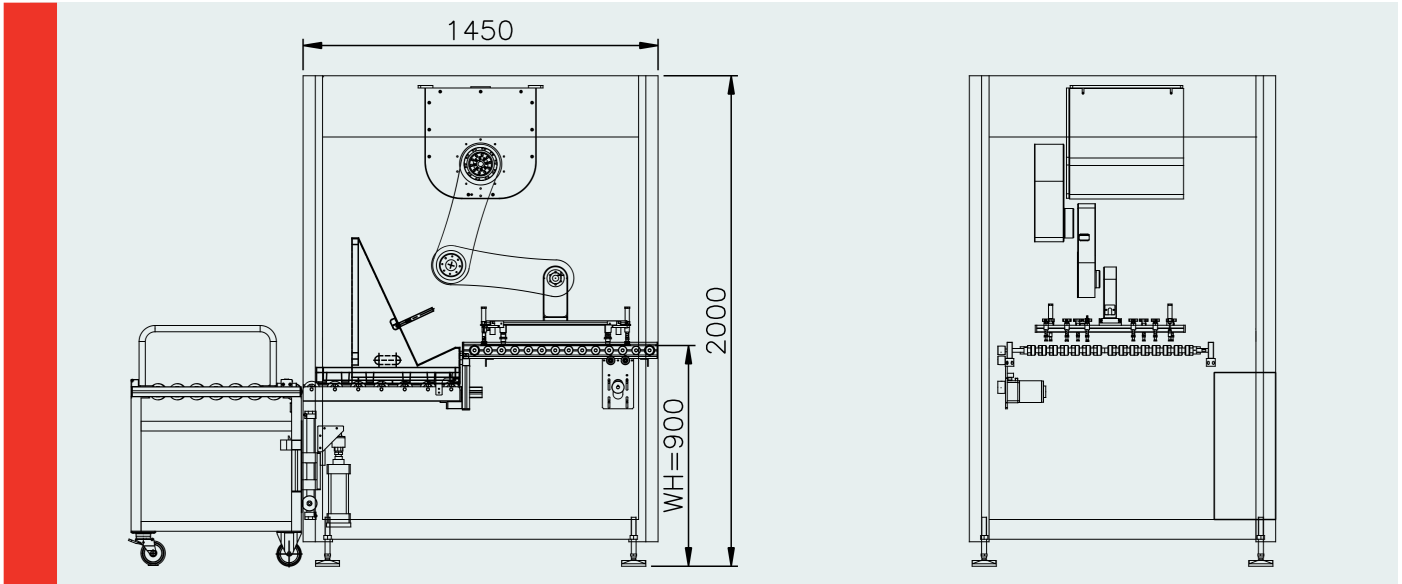
loading and unloading of  
various processes without  
soldermask

## DESCRIPTION

### SLR / SUR-246

- 1 Loader and unloader.
- 2 The SLR/SUR-246 can work with various carriers or boxes in different preset angles.
- 3 The gripper picks and places the panels from racks or boxes with fast and precise positioning.
- 4 An advanced mechanism with additional sensors avoids warping of the panels during alignment.
- 5 The 12 suction cups can be adjusted either individually or by row to ensure optimum panel handling.

**SAA**  
Symtek Automation Asia



TYPE SLR/SUR-246	Loader	Unloader
DIMENSIONS (LxWXH)	1450x1250x2000 mm	1450x1250x2000 mm
WORKING HEIGHT	900 mm ± 50mm	900 mm ± 50mm
MAX. PANEL SIZE	24x24 in.	24x24 in.
MIN. PANEL SIZE	12x12 in.	12x12 in.
PANEL THICKNESS	0.075 ~ 1.6 mm	0.075 ~ 1.6 mm
POWER	1PH 220V 50/60Hz 6KW	1PH 220V 50/60Hz 6KW
AIR	0.6 MPa 20 NL/min	0.6 MPa 20 NL/min
THROUGHPUT	8 pcs/min	8 pcs/min